

Air vent valve 1437

- Slim design
- For compression fittings 22CU



Description

Manual air vent valve.

Construction

Manual air vent valve in brass for compression fittings 22CU.
Gasket in NBR.

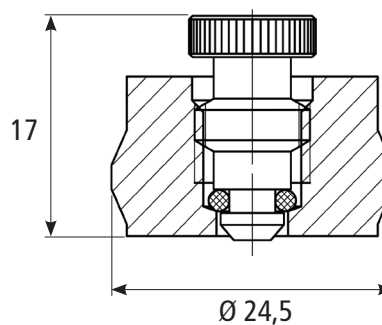
Maintenance

Air vent valves are normally maintenance-free but should be inspected periodically.

Technical data

Body Brass CW617N
Gasket NBR

Maximum working pressure: 10 bar
Maximum working temperature: +90°C



Item number	Description	Connection	Ø	Height	Weight (kg per piece)
0914370022	Air vent 1437-22, 22CU	22CU	24,5	17	0,04

All dimensions in millimetres

Subject to technical changes and corrections without notice